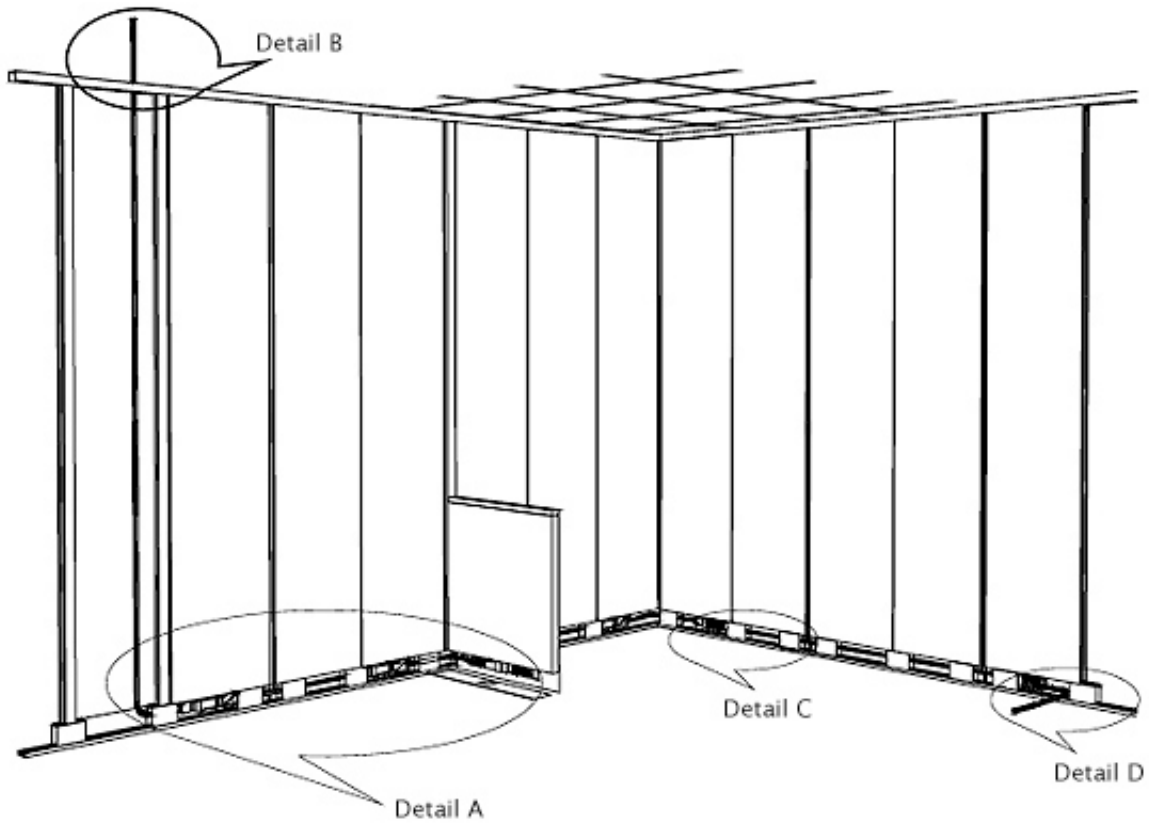
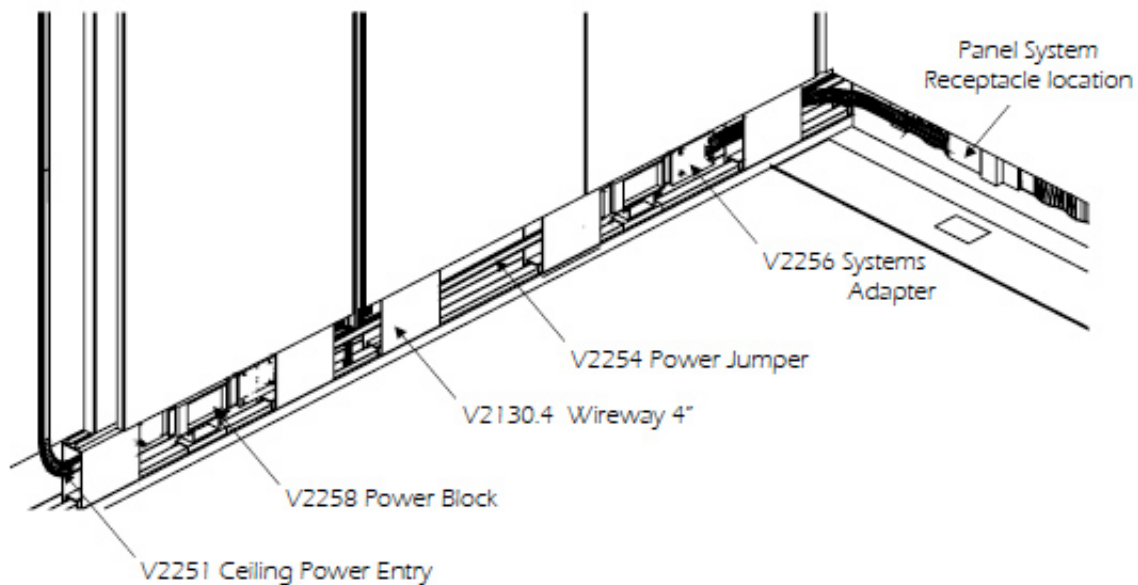


SCA Walls » Base Electrical

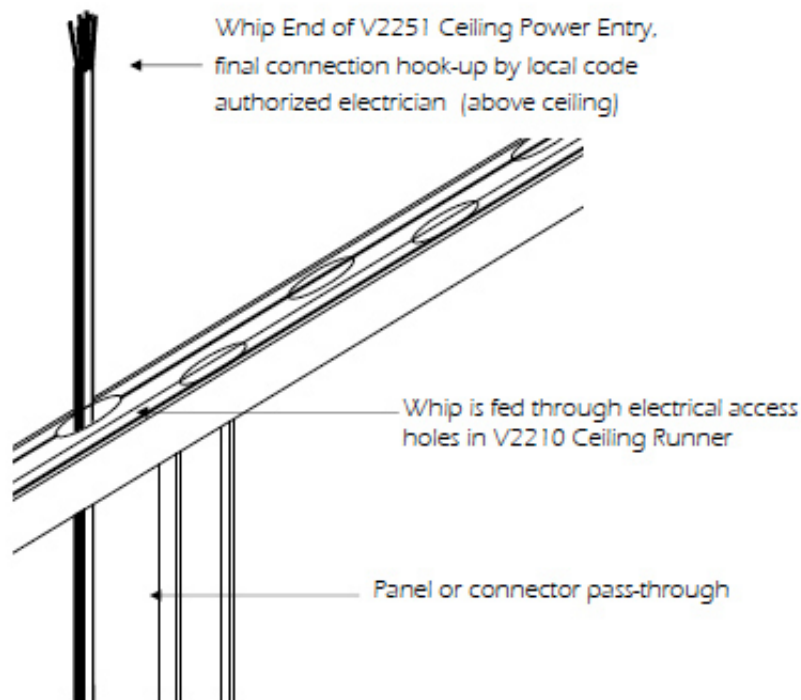
Typical Base Electrical Product Application



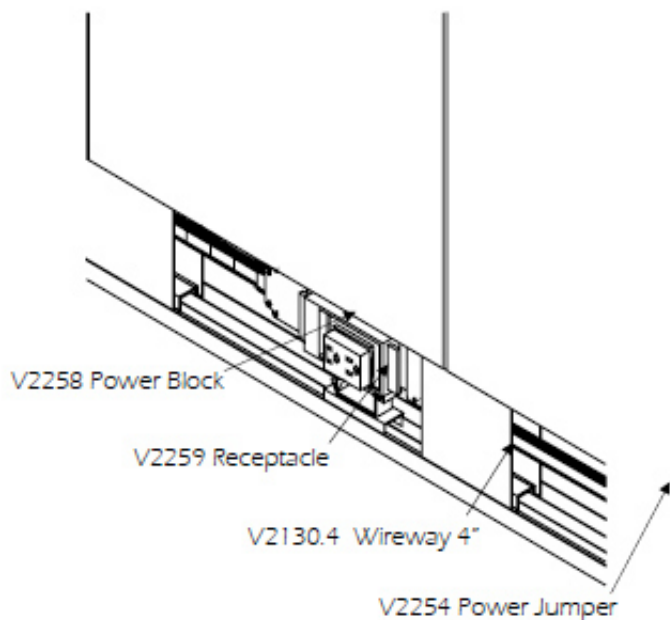
Detail A - Behind Base Trim



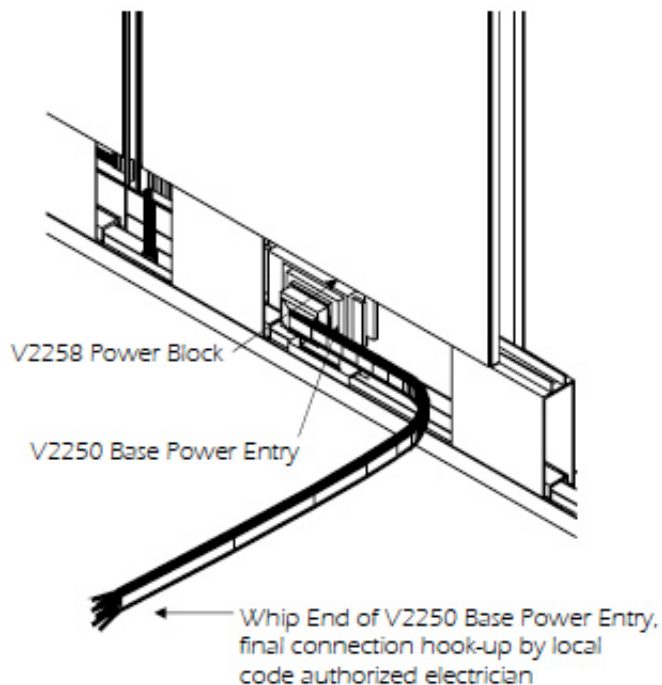
Detail B - Power Connection Detail



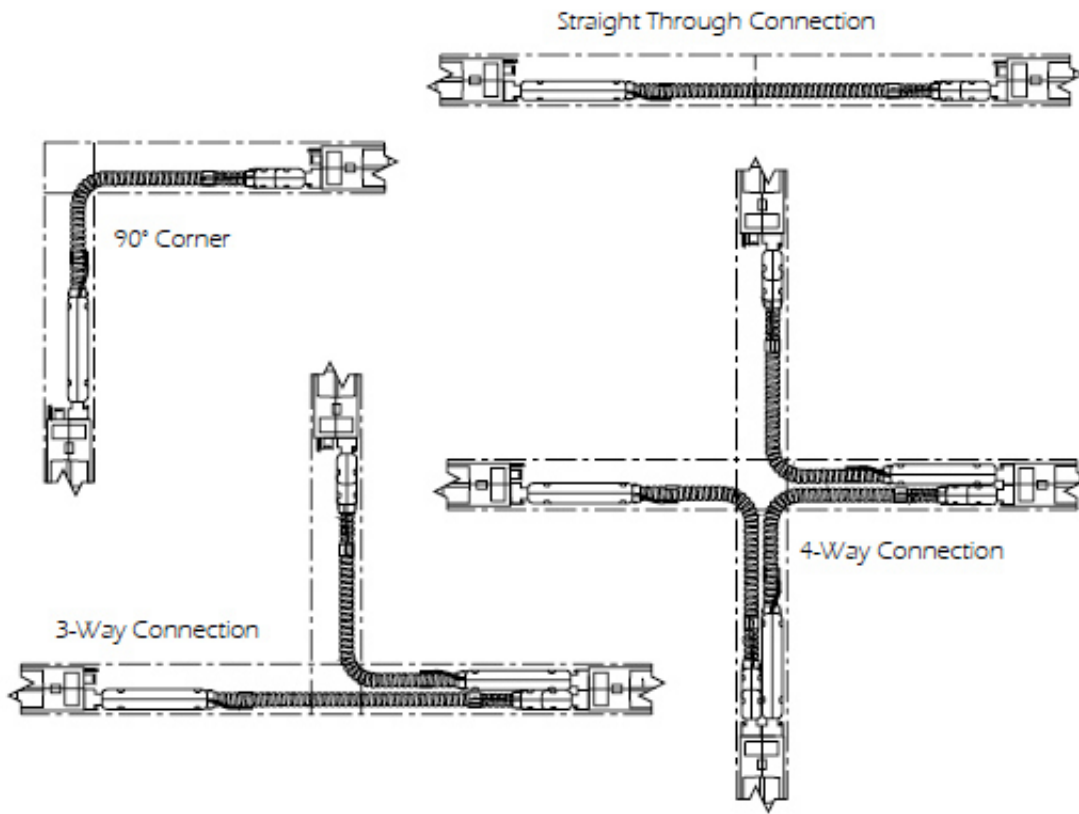
Detail C - Receptacle Detail



Detail D - Base Power Entry Detail



Distribution Cabling Methods



Wiring Schematic

