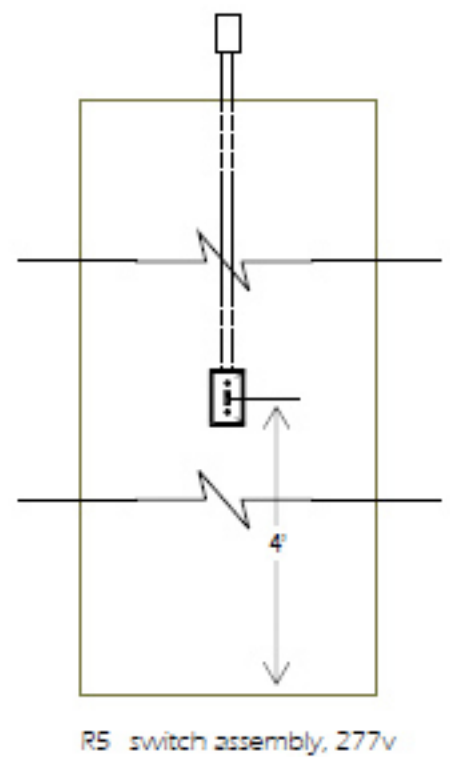
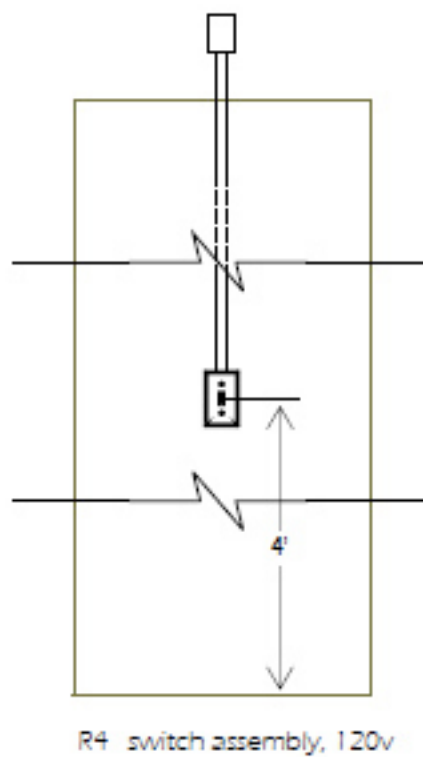
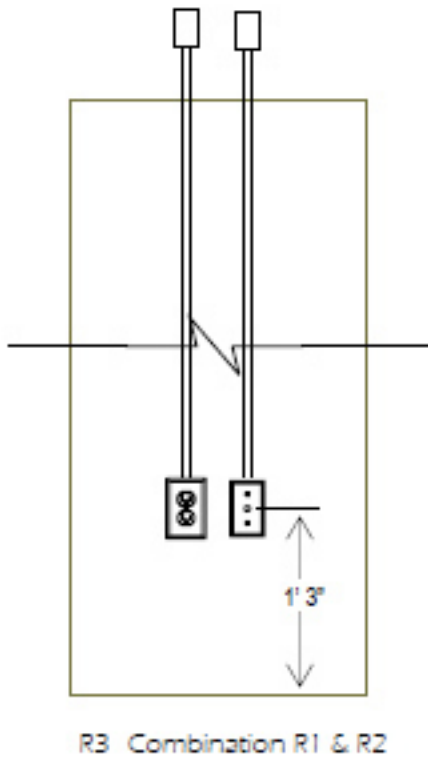
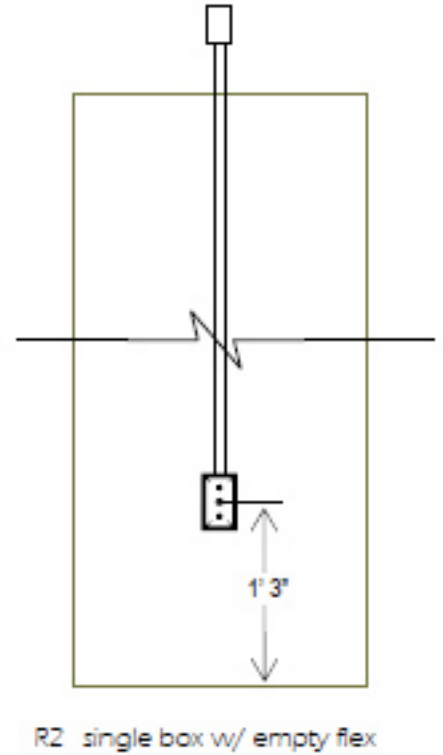
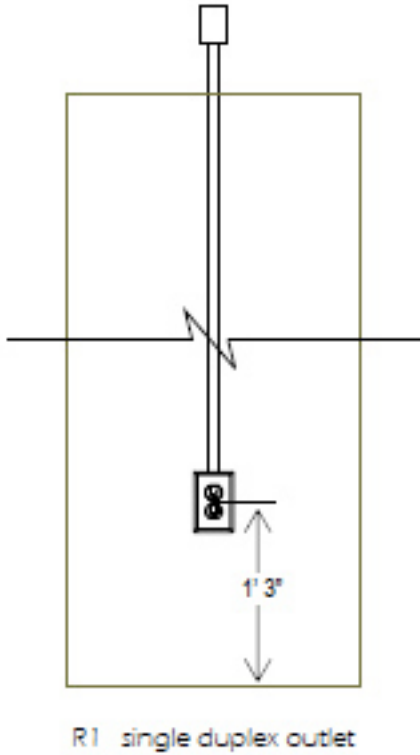
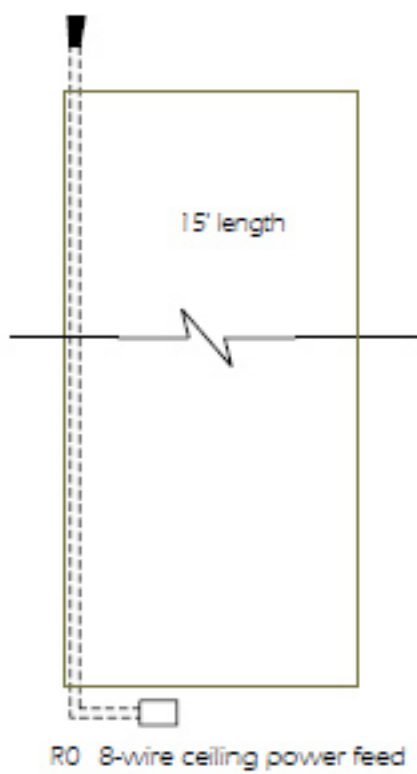
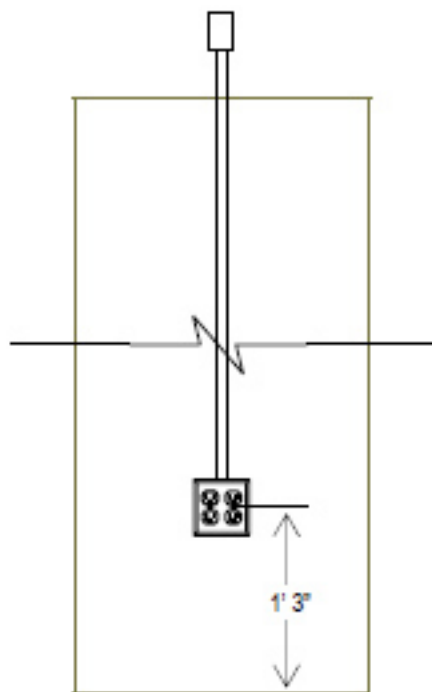


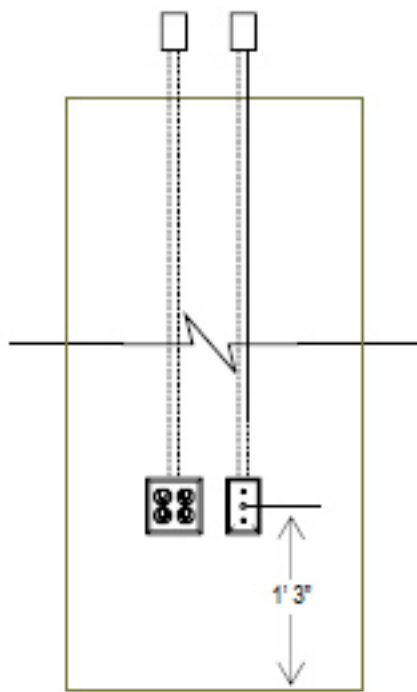
SCA Walls > Panel Electrical

Built-in Panel Electrical- "R#" Options

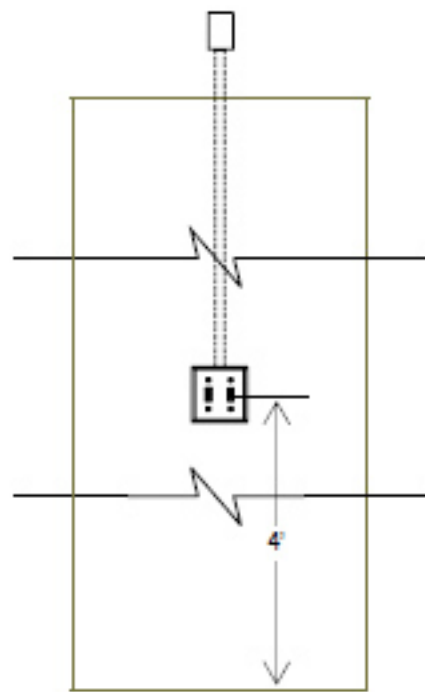




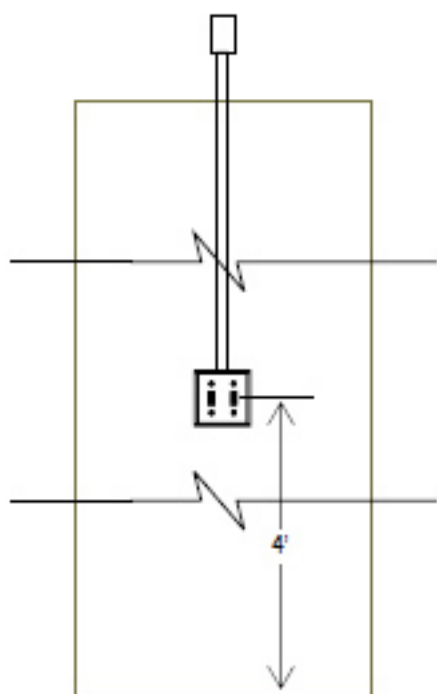
R6 double duplex outlet



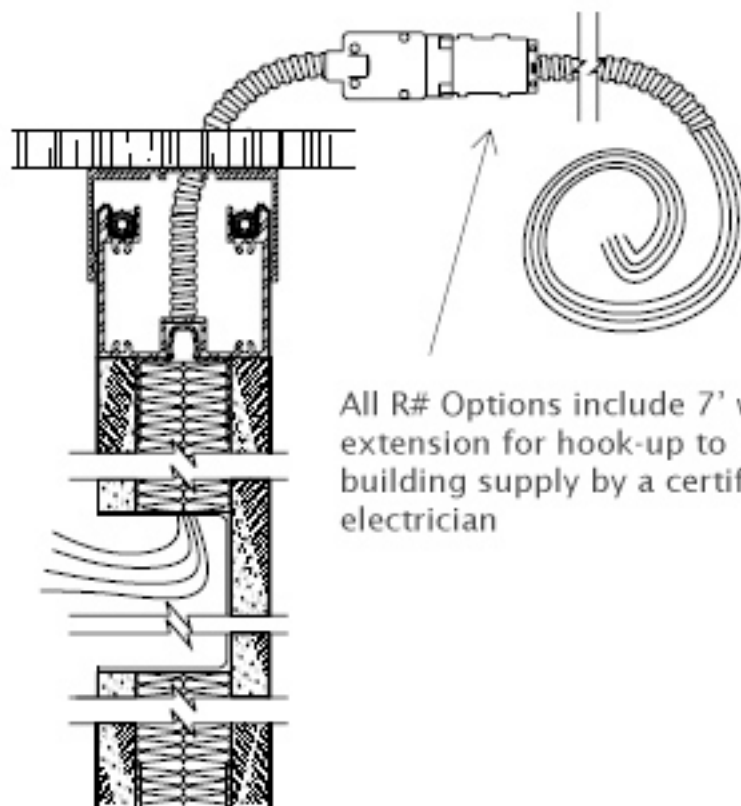
R7 Combination R2 & R6



R8 double switch assembly, 120v



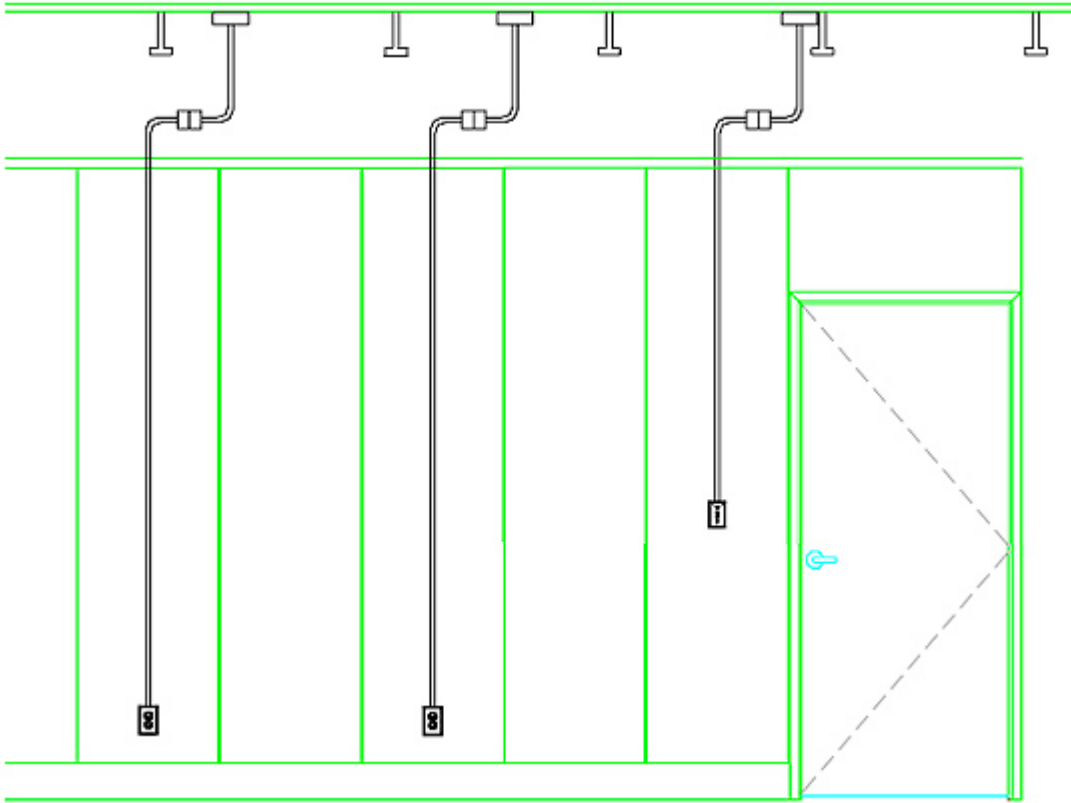
R9 double switch assembly, 277v



All R# Options include 7' whip extension for hook-up to building supply by a certified electrician

Typical single circuit, single hook-up

Note: Hook-up to building power supply to be completed by local code certified electrician.



Typical single circuit, daisy-chained, single hook-up

